



# FOXBAT-5

## NIGHT VISION BI-OCULAR



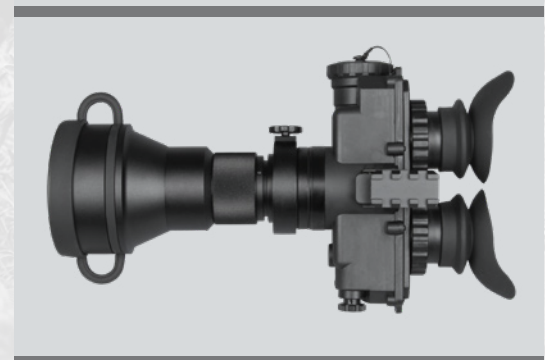
The AGM FoxBat-5 night vision bi-ocular is the perfect tool for mid-range and long-range observation. The FoxBat-5 combines a single high quality image intensifier tube with image beam splitter, double eyepiece and reliable electronics.

AGM FoxBat-5 provides sufficient and durable solution for long time viewing sessions and mid to long range observation. This night vision bi-ocular is the ideal choice for home security, recreational use and even for scientific projects.

Nature observers will enjoy the combination of crystal-clear image and professional fast multicoated optics. AGM FoxBat-5 has tripod mounting option so the longest night will not be an issue for birdwatchers and jaegers.

The FoxBat-5 is a high-grade night vision device built around Gen 2+ high-performance image intensifier tube. The bright light shut-off feature ensures that the high-quality image intensifier tube is protected. FoxBat-5 is powered by two AA batteries and its astonishing operating time is up to 80 hours of continuous use.

- 5x magnification
- Super-fast, multi-coated, all-glass optics
- Dual eye viewing system for long viewing sessions
- Rugged and versatile design
- Water and fog resistance
- Ergonomic and easy to operate controls
- Detachable long-range IR illuminator
- Tripod mountable
- 3-year warranty



Equipment described herein is subject to US export regulations and may require a license prior to export. Diversion contrary to US law is prohibited.

## SPECIFICATIONS

Image Intensifier Tube	Gen 2+
Magnification	5x
FOV	9.4°
Lens System	140 mm; F/2.0
Diopter Adjustment	-5D to +5D
Exit Pupil	15 mm
Eye Relief	15 mm
Interpupillary Distance	57 - 73 mm
Focus Range	10 m to infinity
Infrared Illuminator	Detachable long-range IR illuminator
LED Indicators	- Low Battery - Excessive Light Conditions
Bright Light Cut-Off	Yes
Automatic Brightness Control	Yes
Battery Type	Two 1.5V AA batteries
Battery Life (Operating)	Up to 40 hrs
Operating Temperature	-40°C to +50°C (-40°F to +122°F)
Storage Temperature	-50°C to +70°C (-58°F to +158°F)
Overall Dimensions	280 x 150 x 78 mm (11.0 x 5.9 x 3.0 in)
Weight	1070 g (2.35 lb)

**Package Includes:** Night Vision Monocular, Head Mount Assembly, Brow Pad, Eye Cup, Head Mount Adapter, System Soft Carrying Case, Daylight Filter, Shoulder Strap, Lens Paper, Diopter Lens Cap, Sacrificial Window, Demist Shield, Manual, Battery.

*\* Specifications are subject to change without notice. Images are for illustration purposes only.*



MAIN OFFICE | 2407 E Interstate 30, Suite 100, Grand Prairie | TX 75050, USA  
Tel. +1.928.333.4300 | [info@agmglobalvision.com](mailto:info@agmglobalvision.com) | [www.agmglobalvision.com](http://www.agmglobalvision.com)

EUROPEAN OFFICE | #6 Andrey Lyapchev Blvd | Sofia, P.C. 1756 | Bulgaria  
Tel. +35.988.560.0326 | [info@agmglobalvision.eu](mailto:info@agmglobalvision.eu) | [www.agmglobalvision.eu](http://www.agmglobalvision.eu)

[www.agmglobalvision.com](http://www.agmglobalvision.com)