

# Adder V<sup>2</sup> LRF 35-384

## 30MM TUBE THERMAL IMAGING RIFLE SCOPES

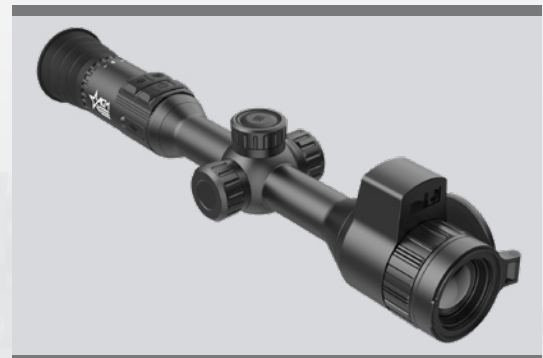
The AGM AdderV2 LRF is the next step in the evolutionary process in the AGM thermal riflescope lineup. Based off the ever-popular original 30mm AGM thermal scopes, the Adders, the V2's will improve upon its predecessor in a number of ways, many of which come directly from our loyal customers.

The New AdderV2 LRF 35-384 primary goal was to assimilate a feature which many electro-optics veterans end up looking at as a necessity, which is a fully integrated 1000yd laser rangefinder. And although the majority of units in the AdderV2 family will come with an integrated LRF and ballistic calculator, the AdderV2 35-384 will come equipped with the highest base magnification of the bunch. Coming in at 4X, the 35-384 will be a great option for hunters and shooters that are happy to hunt with a slightly narrower field of view, knowing that they have not sacrificed any of the resolution via digital zoom to get there. With a magnification range of 4-24X, the AdderV2 35-384 will be perfect for those who already own hunting rifles equipped with the ever-popular 4-16X or 4-20X daytime rifle scopes.

Although the new internal LRF module is one of the major improvements in the new AdderV2's, it's certainly not the only one. Not to be outdone, the new 384/12 micron sensor comes in at an industry-leading sub-15mk sensitivity. And we didn't just pair that new sensor with a common 1024 display, we've paired it with an intricate new 2560x2560 micro display and a new shutterless nuc. This display not only provides users with unrivaled image quality, but also with the new semi-circular internal user interface. This new interface will still comfortably provide shooters with the most crucial information, such as battery life, magnification level, range, time and vertical/horizontal pitch scale readout. This unit also allows users to switch from full step zoom to 0.5X incremental zoom adjustments as well, so there's no wasted sections of the magnification range. Other improvements include: new red & green monochrome color palettes, 64GB of internal storage capacity, 1000g recoil resistance, a fully integrated on board ballistic calculator, pitch scale activation, media albums which can be viewed on the device (not just your phone), internal 9hr rechargeable battery, cold & warm hue viewing modes, and more. And like the original Adder series scopes, the AdderV2's will come with a field-proven American-made ADM one-piece Recon 30mm mount (\$220 value) included. AGM – Vision Without Limits.

- 384x288 thermal resolution
- 12µm high-sensitivity detector
- Built-in 1000m laser rangefinder and ballistic calculator
- 0.5x step of continuous zooming
- On-board video and audio recording
- Shot Activated Recording (SAR)
- Wi-Fi data transmission
- Fast 64GB EMMC built-in storage
- Various reticle types and colors
- Standby mode
- Waterproof & shockproof
- Dual power system
- Up to 9 hours continuous working
- 5-year warranty

Equipment described herein is subject to US export regulations and may require a license prior to export. Diversion contrary to US law is prohibited.



# SPECIFICATIONS

|   |   |
|---|---|
| Image Sensor                            | VOx Uncooled Focal Plane Arrays   |
| Resolution                              | 384 x 288   |
| Frame Rate                              | 50 Hz   |
| Pixel Interval                          | 12 µm   |
| Response Waveband                       | 8 µm to 14 µm   |
| NETD                                    | Less than 15 mK (@25°C, F# = 1.0)   |
| Focal Length                            | 35 mm, F1.0   |
| Focus Mode                              | Focus Ring  |
| Detection Range                         | 1800 m  |
| Min. Focusing Distance                  | 3 m   |
| Magnification                           | 4x - 24x Support 0.5x step value of continuous zooming  |
| Field of View(H x V), Degrees / m @100m | 7.5° x 5.7°/13.1 m x 10.0 m   |
| Display                                 | 2560x2560, 1.03 inch OLED   |
| FFC (Flat Field Correction) Mode        | Semi-Auto, Manual   |
| Palettes                                | Black Hot, White Hot, Red Hot, Fusion, Red Monochrome, Green Monochrome   |
| Exit Pupil                              | 6 mm  |
| Eye Relief                              | 45 mm   |
| Diopter (Range)                         | -4D to 4D   |
| Brightness Adjustment                   | Yes   |
| Tone Adjustment                         | Cold, Warm  |
| Contrast Adjustment                     | Yes   |
| Image Boost 2.0                         | Yes   |
| Zoom Pro                                | Yes   |
| Shutterless                             | Yes   |
| Record Video                            | On-board Video Recording  |
| Capture Snapshot                        | Yes   |
| Audio Recording                         | Yes   |
| Recoil-activation Recording             | Yes   |
| Storage                                 | Built-in EMMC (64 GB)   |
| PIP                                     | Yes   |
| Hotspot                                 | Yes   |
| Hot Track                               | Yes   |
| Distance Measurement                    | Yes   |
| Zeroing Profiles                        | 5   |
| Max. Recoil                             | 1000 g/0.4 ms   |
| Freeze Zeroing                          | Yes   |
| Standby Mode                            | Yes   |
| Ballistic Calculation                   | Yes   |
| Local Album                             | Yes   |
| Battery Type                            | Two rechargeable Lithium batteries (internal), one replaceable and rechargeable 18650 battery (external)  |
| Battery Operating Time                  | 9 hours continuous running (@25°C, LRF on)  |
| Type-C Power Supply                     | 5 V DC/2 A, USB Type-C interface, Supports QC3.0 (* Only the built-in battery will be charged via the type-C cable. Use the battery charger to charge the external battery) |
| Mounting                                | Standard 30mm   |
| Dimension                               | 420 x 88 x 88 mm (16.5 x 3.4 x 3.4 in)  |
| Weight                                  | 0.83 kg ( 1.83 lb)  |
| Working Temperature                     | -30°C to 55 °C (-22 °F to 131°F)  |
| Protection Level                        | IP67  |
| LRF Module in Lens                      | No  |
| Wavelength                              | 905 nm  |
| Safety Class for Laser                  | Class 1   |
| Max. Measuring Range                    | 1000 m  |
| Measurement Accuracy                    | ±1 m  |
| Min. Measuring Range                    | 10 m  |

Specifications are subject to change without notice.  
Images are for illustration purposes only.



MAIN OFFICE | 173 West Main Street | PO Box 962 | Springerville, AZ 85938, USA  
Tel. +1.928.333.4300 | info@agmglobalvision.com | www.agmglobalvision.com

EUROPEAN OFFICE | #6 Andrey Lyapchev Blvd | Sofia, P.C. 1756 | Bulgaria  
Tel. +35.988.560.0326 | info@agmglobalvision.eu | www.agmglobalvision.eu

[www.agmglobalvision.com](http://www.agmglobalvision.com)