



AGM  
GLOBAL  
VISION

# ADDER

## THERMAL IMAGING RIFLESCOPE

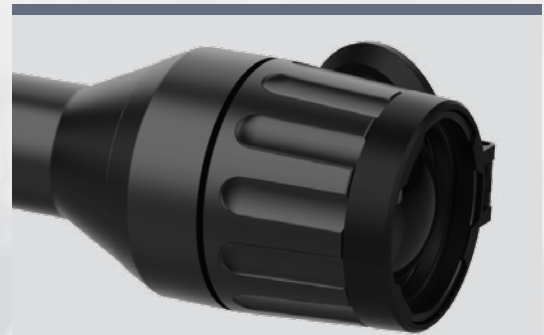
AGM Adder is the thermal imaging scopes developed for 24 hours operation under any weather and environmental conditions. Two objective lens options allow the customer to choose perfect unit for your needs where 35mm lens designed for medium range shooting, while the 50mm lens model will be great for long range missions.

Riflescope has 384×288 or 640×512 high-sensitivity thermal detector and 1024×768 OLED monitor, which provides clear image under harsh environment conditions like darkness, fog, smoke, dust, rain, snow, wood, camouflage, etc. The scope is mainly applied to scenarios such as patrolling, and hunting, etc.

The scope is equipped with unique dual power system. Two built-in 18650 rechargeable batteries with one CR123A replaceable Lithium battery provide up to 15 hours of continuous operation. The device has fast 64GB EMMC storage for on-board video recording and image capturing. Shot Activated Recording (SAR) function allows you not to worry about having to start recording manually each time. Wi-Fi module for live video streaming and video/images recording via application are also available. AGM Adder scope has the ability to work in conjunction with an external laser rangefinder. Data transfer between the optional rangefinder and the scope is carried out via Bluetooth connection.

The Adder can be mounted to the weapon using standard scope mounts for 30mm tubes. The traditional-style 30mm tube meets the needs of professional hunters who value traditions and seek technological superiority, ensure an extreme detection range of up to 2600 meters.

- 384×288 or 640×512 thermal resolution
- 12µm high-sensitivity detector
- Fast 50 Hz imaging
- High-resolution OLED display
- 1x, 2x, 4x, 8x digital zoom
- On-board video and audio recording
- Shot Activated Recording (SAR)
- Wi-Fi data transmission
- Fast 64GB EMMC built-in storage
- Various reticle types and colors
- Adjustable color palettes
- Standby mode
- Waterproof & Shockproof
- Dual power system
- Up to 15 hours continuous working
- External power supply capability
- Limited 3-year warranty



## SPECIFICATIONS

	Adder TS35-384	Adder TS50-384	Adder TS35-640	Adder TS50-640
Resolution	384 x 288	384 x 288	640 x 512	640 x 512
Detector	12µm, Uncooled, 50 Hz, < 35 mK (25°C, F# = 1.0)	12µm, Uncooled, 50 Hz, < 35 mK (25°C, F# = 1.0)	12µm, Uncooled, 50 Hz, < 35 mK (25°C, F# = 1.0)	12µm, Uncooled, 50 Hz, < 35 mK (25°C, F# = 1.0)
Lens System	35 mm; F/1.0	50 mm; F/1.0	35 mm; F/1.0	50 mm; F/1.0
Magnification	3x - 24x	4x - 32x	2x - 16x	2.5x - 20x
Field of View	7.5° x 5.6°	5.2° x 3.9°	12.3° x 9.9°	8.7° x 7.0°
Detection Range	1800 m	2600 m	1800 m	2600 m
Digital Zoom	1x, 2x, 4x, 8x	1x, 2x, 4x, 8x	1x, 2x, 4x, 8x	1x, 2x, 4x, 8x
Eye Relief	≥ 60 mm	≥ 60 mm	≥ 60 mm	≥ 60 mm
Diopter Adjustment	-5 to +5 dpt	-5 to +5 dpt	-5 to +5 dpt	-5 to +5 dpt
Display	1024x768, 50 Hz, OLED	1024x768, 50 Hz, OLED	1024x768, 50 Hz, OLED	1024x768, 50 Hz, OLED
Reticle	5 types, 4 colors, on/off	5 types, 4 colors, on/off	5 types, 4 colors, on/off	5 types, 4 colors, on/off
Boresight Adjustment	Digital Controlled	Digital Controlled	Digital Controlled	Digital Controlled
Boresight Increment	0.13 mil / 0.44 MOA	0.09 mil / 0.31 MOA	0.22 mil / 0.73 MOA	0.15 mil / 0.51 MOA
Distance Measurement	Yes (Stadiametric); Optional Laser Rangefinder	Yes (Stadiametric); Optional Laser Rangefinder	Yes (Stadiametric); Optional Laser Rangefinder	Yes (Stadiametric); Optional Laser Rangefinder
Palettes	Black Hot, White Hot, Red Hot, Fusion	Black Hot, White Hot, Red Hot, Fusion	Black Hot, White Hot, Red Hot, Fusion	Black Hot, White Hot, Red Hot, Fusion
Scene Mode	Jungle, Recognition	Jungle, Recognition	Jungle, Recognition	Jungle, Recognition
Picture In Picture Mode (PIP)	Yes	Yes	Yes	Yes
Wi-Fi Hotspot	Yes	Yes	Yes	Yes
Bluetooth	Yes	Yes	Yes	Yes
Standby Mode	Yes	Yes	Yes	Yes
Video/Audio Recording	Yes/Yes	Yes/Yes	Yes/Yes	Yes/Yes
Picture Snapshot	Yes	Yes	Yes	Yes
CVBS Output	Yes (via USB)	Yes (via USB)	Yes (via USB)	Yes (via USB)
Defective Pixels Correction (DPC)	Yes	Yes	Yes	Yes
Uniformity Correction	Auto, Manual, External Correction	Auto, Manual, External Correction	Auto, Manual, External Correction	Auto, Manual, External Correction
Storage	64 GB EMMC	64 GB EMMC	64 GB EMMC	64 GB EMMC
Battery Type	Two 18650 Rechargeable Batteries (built-in) and one CR123 Battery	Two 18650 Rechargeable Batteries (built-in) and one CR123 Battery	Two 18650 Rechargeable Batteries (built-in) and one CR123 Battery	Two 18650 Rechargeable Batteries (built-in) and one CR123 Battery
Battery Life (Operating, 20°C)	Up to 15 hr	Up to 15 hr	Up to 12 hr	Up to 12 hr
Power Supply	5 VDC/2 A, USB Type-C Supports QC3.0	5 VDC/2 A, USB Type-C Supports QC3.0	5 VDC/2 A, USB Type-C Supports QC3.0	5 VDC/2 A, USB Type-C Supports QC3.0
Operating Temperature Range	-30°C to +55°C (-22°F to +131°F)	-30°C to +55°C (-22°F to +131°F)	-30°C to +55°C (-22°F to +131°F)	-30°C to +55°C (-22°F to +131°F)
Degree of Protection	IP67	IP67	IP67	IP67
Weight (w/o mount)	890 g ( 1.96 lb)	970 g ( 2.14 lb)	890 g ( 1.96 lb)	970 g ( 2.14 lb)
Overall Dimensions (w/o mount)	407 x 78x 76 mm (16.0 x 3.1 x 3.0 in)	420 x 78 x 82 mm (16.5 x 3.1 x 3.2 in)	407 x 78x 76 mm (16.0 x 3.1 x 3.0 in)	420 x 78 x 82 mm (16.5 x 3.1 x 3.2 in)

Specifications are subject to change without notice.



MAIN OFFICE | 173 West Main Street | PO Box 962 | Springerville, AZ 85938, USA  
Tel. +1.928.333.4300 | info@agmglobalvision.com | www.agmglobalvision.com

EUROPEAN OFFICE | #6 Andrey Lyapchev Blvd | Sofia, P.C. 1756 | Bulgaria  
Tel. +35.988.412.5573 | info@agmglobalvision.eu | www.agmglobalvision.eu

[www.agmglobalvision.com](http://www.agmglobalvision.com)